

# SAFETY RELIEF VALVES

Compliant with P.E.D. directive

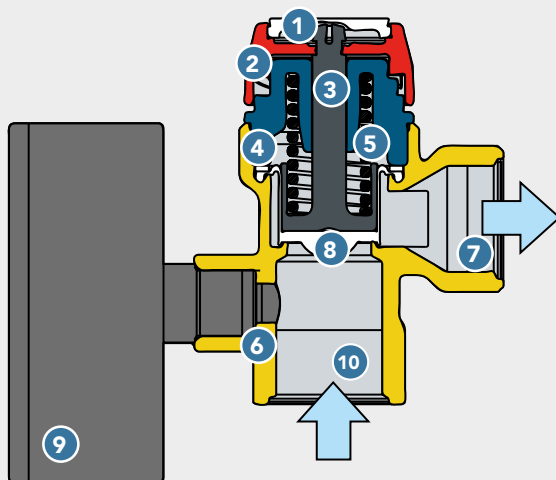
**RBM safety relief valves** are devices that have to be installed on a hydraulic circuit, immediately downstream of the heat generator or on the hot water storage tanks, on the supply piping, in order to discharge any overpressure which could generate inside of them.

**RBM safety relief valves** are supplied with a pre-established calibration pressure value. When operating, if that pressure is reached, the valve opens (the force generated by the pressure overcomes the resistance exerted by the spring), allowing part of the fluid to be discharged thus lowering pressure inside the system.



## STANDARD SAFETY RELIEF VALVE

Standard safety relief valves with controlled rising are used on heat generators with heat rated capacity higher than 35 kW and whenever the certified safety relief valve is not required. The standard safety relief valve is also available in the version with pressure gauge to read the pressure.



- 1 Indicator disk
- 2 ABS hand wheel
- 3 Polymer rod
- 4 Polymer cap
- 5 Internal spring in AISI 302 stainless steel
- 6 Brass body
- 7 Excessive pressure discharge connection
- 8 Shutter with elastomer seal
- 9 Pressure gauge
- 10 Heat generator connection



## ACCESSORIES

### DRAIN CHANNEL, CONSISTING OF ELBOW FITTING AND STRAIGHT TUNDISH

Combined with the safety valves, the drain channel allows the discharged fluid to be directed in the desired direction.