



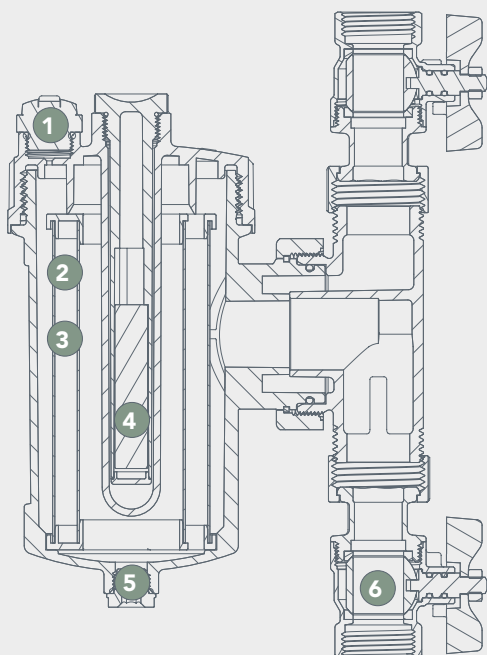
SAFECLEANER 2

Multifunction magnetic dirt separator filter for hydraulic circuits

RBM SafeCleaner2 represents the best solution to solve plant problems due to particle pollution, especially rust and sand, that are formed due to corrosion and scale during the normal operation of a system. Through its effective and constant action, the magnetic filter collects all the impurities present in the circuit, preventing them from circulating within it, thus avoiding wear and damage of all the components making up the system.

The impurities caught by the filter build up on the bottom of it and are eliminated by simply opening the drain plug.

This way all the magnetic contaminants (ferrous residues) and non-magnetic (algae, sludge, sand...) in the system are removed.

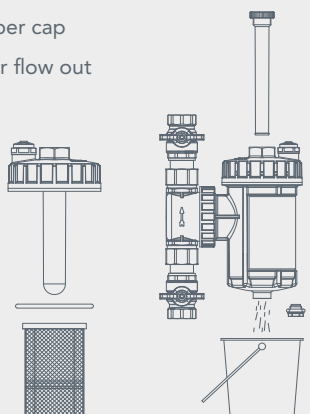


- 1 Manual air vent valve
- 2 Stainless steel filtering
- 3 Filtration chamber
- 4 Removable neodymium magnet
- 5 Drain cap
- 6 Shut-off ball valve

SIMPLE CLEANING OPERATIONS

1. Shut off the ball valves
2. Remove the magnet from the upper cap
3. Open the drain plug and let water flow out

For a more thorough cleaning of the sludge remover, the filter cap can be completely removed so as to extract the filtering mesh and allow for cleaning and replacement operations.



- Retains all impurities
- Self-cleaning
- Excellent hydraulic properties
- Can be mounted on vertical, horizontal and diagonal piping
- Increases the lifespan of the boiler
- Fights corrosion
- Maintains optimum system efficiency
- Easy dosing of the treatment fluids with 0.5l doses